

VSAT

Ku-band VSAT

KU-100

Equipment List

Standard	
Above Deck Equipment	
Antenna Unit	KU-100AT
Below Deck Equipment	
Antenna Control Unit	KU-100AC
Antenna cable*	
*Selectable from	8D-FB-CV 30M 8D-FB-CV 50M



Features of Ku-band VSAT system KU-100

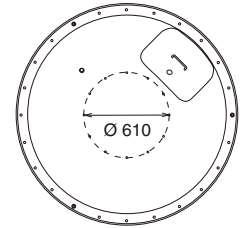
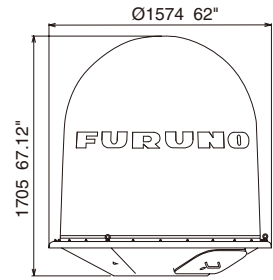
- ▶ **Ku-band maritime VSAT antenna system**
- ▶ **Antenna reflector size: 1 m**
- ▶ **Available in both Cross-pol and Co-pol feeds**
- ▶ **Supports ABS (Auto Beam Switching)**
- ▶ **Supports both iDirect and ViaSat modem interface**
- ▶ **Allows for unlimited connection regardless of file size to be handled and duration of connection at a fixed monthly communication rate**
- ▶ **Internet access as well as checking of email account can be done in the same manner as we do at office or home, thanks to always-on connection to the network—no need for dial-up to secure connection**
- ▶ **By adding a VoIP gateway, pre-paid phones for crew calling as well as IP phones for operational calling can be incorporated onboard the vessels**

Specifications

Antenna Unit KU-100AT			
Antenna Diameter	Dish size: 1.0 m		
Antenna Gain	TX	41.8 dBi (14.25 GHz)	
	RX	40.6 dBi (12.50 GHz)	
Polarization	Co-pol and Cross-pol		
Transmitting Frequency	14.0-14.5 GHz (Standard)	13.75-14.5 GHz (option)*	
Receiving Frequency	10.7-12.75 GHz		
RF Package	TX	8 W BUC (Block Up Converter)	8 W Extended BUC (option)
	RX	Wideband LNA	
GPS Receiver	Incorporated		
Ship's Motion	Roll	±30°/7 sec	
	Pitch	±10°/5 sec	
	Yaw	±4°/20 sec	
	Rate of Turn	±6°/1 sec, 1°/sec ²	
Environment			
Temperature	Operational: -25°C to +55°C		
	Storage: -40°C to +70°C		
Relative humidity	Up to 93 % at 40°C		
Waterproofing	IP56		
EMC	IEC 60945 Ed. 4 2002-08		
Shock	IEC 60068-2-27		
Vibration	IEC 60945 Ed. 4 2002-08		
Wind speed	60 m/sec Max.		

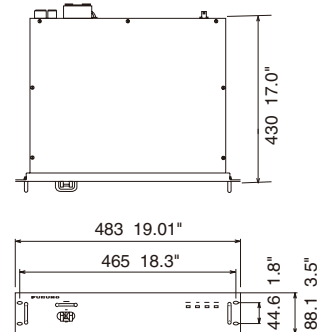
Antenna Unit KU-100AT

185 kg 409.9 lb



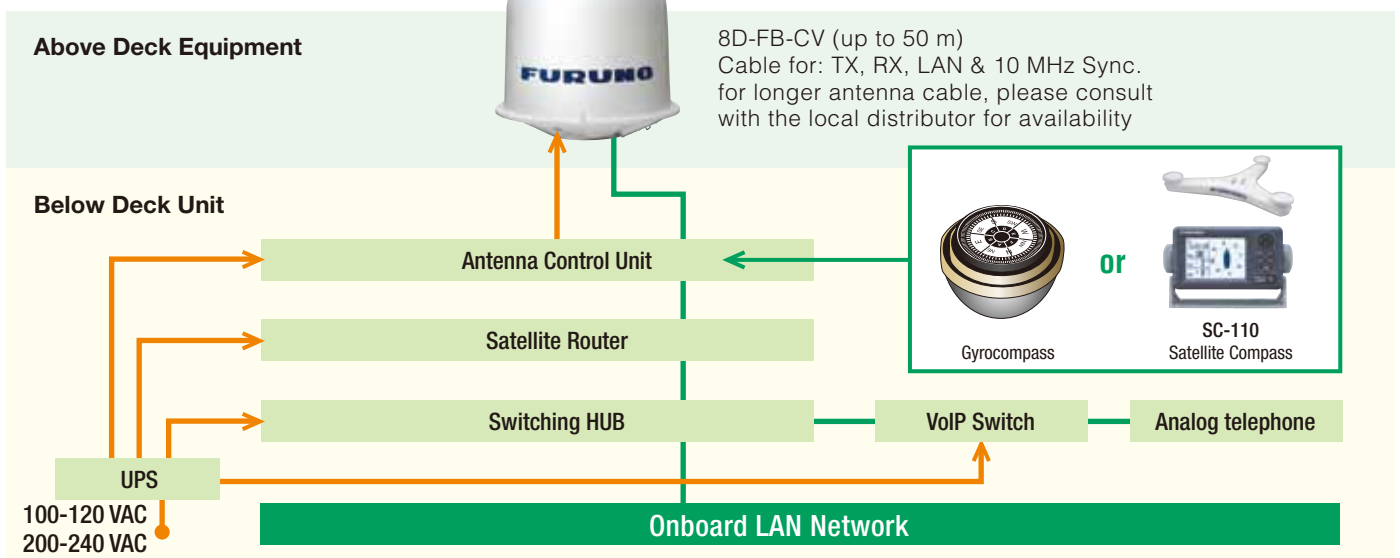
Antenna Control Unit KU-100AC

8 kg 17.64 lb



Antenna Control Unit KU-100AC	
Interface	Antenna Interface (Power, L-band with control), TRX IF (for Modem), Ethernet, Heading, RS232 (for maintenance)
Power Supply	100-240 VAC (50, 60 Hz) 300 W
Environment	
Temperature	Operational: 0°C to +55°C
	Storage: -40°C to +70°C
Relative humidity	Up to 93 % at 40°C
EMC	IEC 60945 Ed. 4 2002-08
Shock	IEC 60068-2-27
Vibration	IEC 60945 Ed. 4 2002-08

VSAT System Configuration



All brand and product names are registered trademarks, trademarks, or service marks of their respective holders. SPECIFICATIONS SUBJECT TO CHANGE WITHOUT NOTICE

FURUNO ELECTRIC CO., LTD.
www.furuno.co.jp
FURUNO U.S.A. INC.
www.furunousa.com
FURUNO (UK) LIMITED
www.furuno.co.uk
FURUNO FRANCE S.A.S.
www.furuno.fr

FURUNO ESPAÑA S.A.
www.furuno.es
FURUNO DANMARK AS
www.furuno.dk
FURUNO NORGE A/S
www.furuno.no
FURUNO SVERIGE AB
www.furuno.se

FURUNO FINLAND OY
www.furuno.fi
FURUNO POLSKA Z o.o.
www.furuno.pl
FURUNO EURUS LLC
www.furuno.com.ru
FURUNO DEUTSCHLAND GmbH
www.furuno.de

FURUNO HELLAS S.A.
www.furuno.gr
RICO (PTE) LTD
www.rico.com.sg
FURUNO Broadband Service Center
www.safecomnet.com