

Entel

VHF

Two-way VHF Radiotelephone Apparatus

HT649



Primary battery pack available for an emergency use

In time of emergency, the battery pack should be changed with Li-ion primary battery pack (yellow). This dry battery ensures continuous operation for eight hours at specified duty cycle (duty cycle TX: 1, RX: 1, ST-BY: 8).



Dedicated model available for Japanese flag vessels.

Two-way VHF Radiotelephone Apparatus HT649

- ▶ For on-site communication amongst survival craft as well as between rescue craft and survival craft
- ▶ Conform to the GMDSS carriage requirements
- ▶ Type approved by EU notified body and MILIT, Japan
- ▶ Submersible waterproof and rugged construction

- ▶ Ch 16 quick selection button provided
- ▶ Rechargeable Lithium-Ion battery as standard supply
- ▶ Can be used for high-speed rescue craft when utilizing the CHP1/750 earpiece headset (Option)

NOTE: Only 3 channels are allowed for Japanese flag vessels.

All SOLAS convention ships operating internationally must comply with the GMDSS (Global Maritime Distress and Safety System) carriage requirements. These include specifications for survival craft handheld radiotelephones, requiring a minimum of 2 sets of such radios to be carried on cargo vessels of 300 to 500 GT; and a minimum of 3 sets to be carried on cargo vessels over 500 GT, as well as all passenger ships.

1. GENERAL

- Type Approval MED Cert. No. 07212001/AA/00, Telefication B.V., Netherlands and Japanese Gov. G3E
- Conforming Standards EN 300 225 V1.4.1 (2004-12), IEC60945 Ed.4 (2002-8).
- Class of Emission G3E
- Number of Channels 3 Channels (see NOTE): CH15 (156.75MHz), CH16 (156.80MHz), CH17 (156.85MHz)
Optional channels: CH6, CH8, CH9, CH10, CH11, CH12, CH13, CH14, CH67, CH68, CH69, CH71, CH72, CH73, CH74 and CH77
- Communication System Simplex, press-to-talk
- Antenna Vertical helical whip, 50ohms, Omni-directional
- Operating Hours >8hours (duty cycle TX:RX-ST-BY=1:1:8)
- Supply Power Rechargeable Li-ion battery (CNB750E): 7.4VDC 1800mAh
Primary Li-ion battery (CLB750G): 7.5VDC 2400mAh, shelf life: 5years
- Power Consumption St-by: 60mA, Receive: 200mA, Transmit: 870mA
- Dimensions/Mass With rechargeable battery: 62(W)×145(H)×39(D)mm, Approx.315g
With primary battery: 62(W)×145(H)×45(D)mm, Approx. 330g

2. TRANSMITTER

- RF Output Power 0.8W (-20%, +50%)
- Type of Oscillation Frequency synthesis
- Frequency Error Within 10ppm
- Type of Modulation Phase modulation
- AF Modulation Response Within ±3dB at 6dB/oct pre-emphasis for modulation 300-3000Hz
- Frequency Deviation ±5kHz Max.
- Occupied Bandwidth Less than 16kHz
- Microphone Input -36dBm±3dB/600Ω (at 70% modulation)

3. RECEIVER

- Receiving System Double superheterodyne
- Sensitivity <2μV (20dB QS)

- Selectivity >12kHz (-6dB), <25kHz (-70dB)
- Spurious and Image Rejection <70dB
- Squelch Sensitivity <0.35μV (Threshold), <1μV (Tight squelch)
- Intermodulation Better than 68dB
- AF Output Power 0.3W (5% Distortion)

4. ENVIRONMENTAL CONDITIONS

- Operating Temperature -20°C~+55°C
- Storage Temperature -30°C~+70°C
- Humidity 93% (at 40)
- Drop Test No damage when unit is dropped onto hard wood plank from height of 1m
- Watertightness 5 min. at 1m depth
- Compass Safe Distance Standard compass: 1.0 m
Steering compass: 1.0 m

5. 3-UNIT MULTI-CHARGER MODEL CSBHT3

- Input Voltage/Current 100VAC~240VAC, 1ø, 60Hz 0.9Amax.
- Charging Time About 6 hours

EQUIPMENT LIST

STANDARD

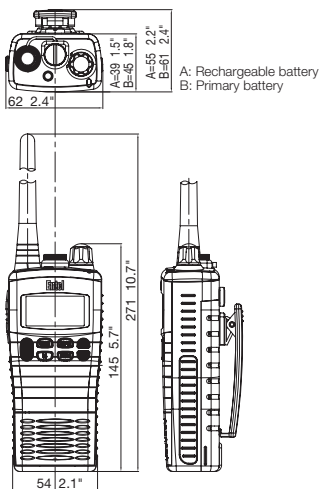
- Transceiver (HT649)
- Helical Whip Antenna (CAT40)
- Belt Clip (CBH750)
- Hand Strap (LY600)
- Li-ion Rechargeable Battery (7.4 VDC 1800mAh for Daily use, Black) (CNB750E)
- Li-ion Primary Battery (7.5 VDC 2400mAh for Emergency, Yellow) (CLB750G)

OPTION

- 3 Unit Charger (CSBHT3)
- Single unit RAPID Charger (CSAHT)
- Submersible, Noise Cancelling Speaker Microphone (Heavy Duty) (CMP750)
- Single Earpiece Headset with VOX (voice operating control) (CHP1/750)
- Carrying Case (CLC753)
- Li-ion Rechargeable Battery (7.4 VDC 1800mAh for Daily use, Black) (CNB750E)
- Li-ion Primary Battery (7.5 VDC 2400mAh for Emergency, Yellow) (CLB750G)

TRANSCEIVER UNIT

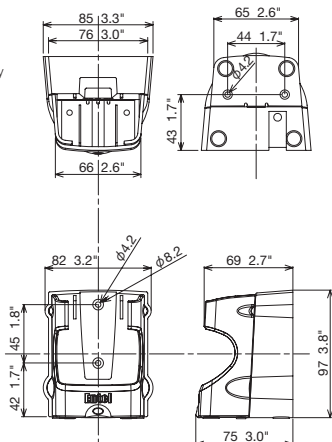
A: With rechargeable battery Approx.315 g 0.69 lb
B: With primary battery Approx.330 g 0.73 lb



Drawing above is the transceiver with rechargeable battery

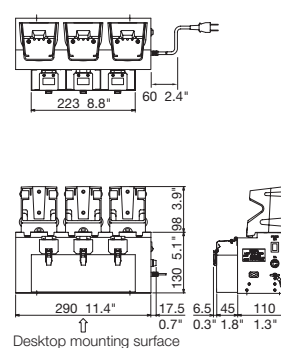
Single Battery Charger

260 g 0.57 lb

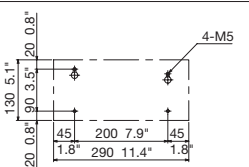


3-Unit Multi Battery Charger

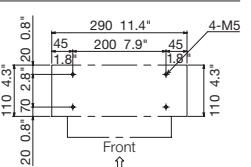
3200 g 7.05 lb



Fixing hole diagram for bulkhead mount



Fixing hole diagram for desktop mount



Authorized Dealer

NIPPON LAMBDA CO.,LTD.

KN Nihonbashi Building 801, 8-17 Nihonbashi-honcho, 4-Chome, Chuo-ku
Tokyo 103-0023, JAPAN TEL: +81 3 3281 5241

Entel Trade mark in Japan owned by Entel Japan Ltd.

SPECIFICATIONS SUBJECT TO CHANGE WITHOUT NOTICE