

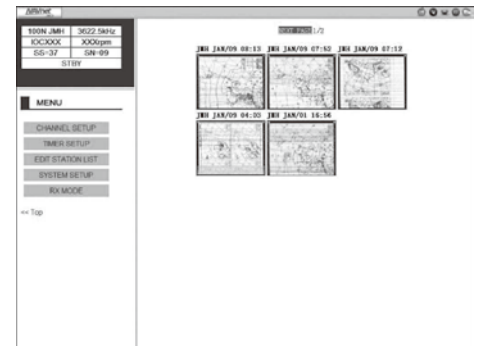
# FAX-30

WEATHER FACSIMILE RECEIVER



- ▶ **Connection to a NavNet display or PC through an Ethernet**
- ▶ **User friendly softkey menu operation on NavNet display**
- ▶ **Web navigation using Internet Explorer or Netscape**
- ▶ **Print images and messages from generic PC and printer**
- ▶ **Storage of maximum 12 images on NavNet display (depending on file size)**
- ▶ **Thumbnail view for easy selection of stored images**
- ▶ **Noise Rejection for clear image**

The FAX-30 can turn any NavNet display or PC into a weather fax and NAVTEX receiver for obtaining weather forecasts and safety information. This "BlackBox" unit connects directly to a NavNet display or an Ethernet hub with a single Ethernet cable. If a multiple of NavNet displays are connected on the Ethernet bus, each of those displays will have access to the FAX-30. In addition, the FAX-30 has the capability of being connected to a standard PC with Ethernet card. The FAX-30 receives the weather map broadcast from a fax transmitting station working under WMO standards. Up to twelve received pictures can be stored on internal memory. The pictures stored can be freely rotated or zoomed in/out on the screen. By selecting the built-in NAVTEX receiver, you can view up to 130 stored NAVTEX messages.



Up to twelve received pictures can be stored

## SPECIFICATIONS OF FAX-30

### General

Frequency Range	80 kHz to 160 kHz, 2 MHz to 25 MHz, 490 kHz, 518 kHz (NAVTEX)
Class of Emission	F3C, J3C, F1B (NAVTEX)
Receiving System	Double superheterodyne
Number of channel	1000 channels
Storage	Fax: 12 pictures NAVTEX: 130 messages 55 characters x 20 lines Character size: 2.6 x 5.3 mm
Scanning Speed	60, 90, 120, 180 or 240 r.p.m., automatic or manual selection
I.O.C.	576 or 288, automatic or manual selection
Display Color	Monochrome, 8 shades of gray, Blue shades, Pink and black, Red and blue
Networking Standard	Ethernet 10Base-T TCP/IP

### Power Supply

12-24 VDC, 12 W

### Minimum System Requirements for PC

OS:	Windows 98, 2000, XP, VISTA
CPU:	600 MHz or faster
RAM:	128 MB or more
Resolution:	1024 x 768 pixels
Browser:	Internet Explorer Ver. 5.01 SP2/5.5 SP2/6.0 SP1/7.0 Netscape Communicator Ver. 4.78/6.2/7.0

### Environmental Conditions

EMC, Vibration, Climatic: Complies with IEC 60945

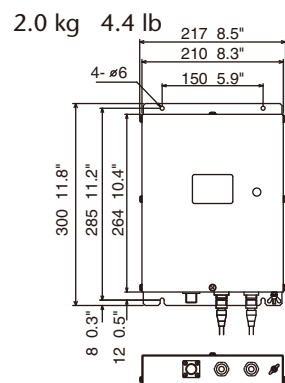
### Equipment List Standard

1. Receiver Unit FAX-30 1 unit
2. Installation Materials and Spare Parts (including 5 m NavNet Cable or PC Adaptor Cable selectable) 1 set

### Option

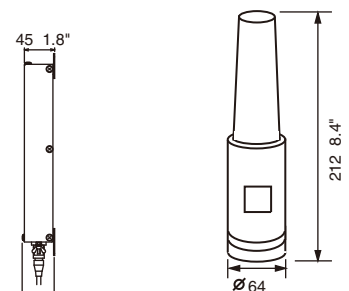
1. Preamp Unit FAX-5 with 15 m cable
2. Antenna Fixing Clamp
3. Whip Antenna 04S4176
4. Extension Cable OP-04-2
5. NavNet 3D or PC Adaptor Cable MJ-A6SPF0017-050C
6. HUB Adaptor Cable MJ-A6SRMD/TM11AP8-005
7. NavNet Cable MJ-A6SPF0014 (1/10/20/30 m)
8. Automatic Printing Software FAX-30-APT

## DIMENSIONS AND WEIGHT Receiver Unit FAX-30

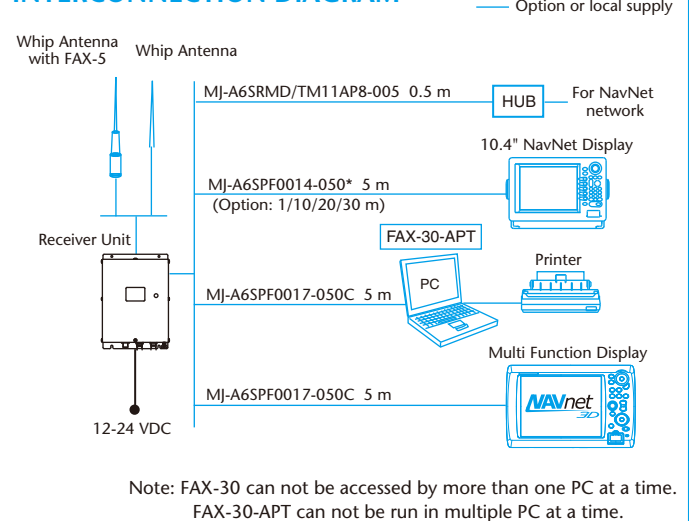


## Preamp Unit FAX-5

1.3 kg 2.9 lb



## INTERCONNECTION DIAGRAM



TRADEMARK REGISTERED  
SPECIFICATIONS SUBJECT TO CHANGE WITHOUT NOTICE

### FURUNO ELECTRIC CO., LTD.

Nishinomiya, Hyogo, Japan  
Phone: +81 (0)798 65-2111  
Fax: +81 (0)798 65-4200, 66-4622

### FURUNO U.S.A., INC.

Camas, Washington, U.S.A.  
Phone: +1 360-834-9300  
Fax: +1 360-834-9400

### FURUNO (UK) LIMITED

Havant, Hampshire, U.K.  
Phone: +44 23 9244 1000  
Fax: +44 23 9248 4316

### FURUNO FRANCE S.A.S.

Bordeaux-Mérignac, France  
Phone: +33 5 56 13 48 00  
Fax: +33 5 56 13 48 01

### FURUNO ESPAÑA S.A.

Madrid, Spain  
Phone: +34 91-725-90-88  
Fax: +34 91-725-98-97

### FURUNO DANMARK AS

Hvidovre, Denmark  
Phone: +45 36 77 45 00  
Fax: +45 36 77 45 01

### FURUNO NORGE A/S

Ålesund, Norway  
Phone: +47 70 102950  
Fax: +47 70 102951

### FURUNO SVERIGE AB

Västra Frölunda, Sweden  
Phone: +46 31-7098940  
Fax: +46 31-497093

### FURUNO FINLAND OY

Espoo, Finland  
Phone: +358 9 4355 670  
Fax: +358 9 4355 6710

### FURUNO POLSKA Sp. Z o.o.

Gdynia, Poland  
Phone: +48 58 669 02 20  
Fax: +48 58 669 02 21

### FURUNO DEUTSCHLAND GmbH

Rellingen, Germany  
Phone: +49 4101 838 10  
Fax: +49 4101 838 111

### FURUNO EURUS LLC

St. Petersburg, Russian Federation  
Phone: +7 812 767 15 92  
Fax: +7 812 766 55 52



08083U Printed in Japan  
Catalogue No. FX-622

