

10.4" Multi-Color LCD RADAR MODEL 1937

FURUNO

SPECIFICATIONS OF MODEL 1937

ANTENNA RADIATOR

Type: Slotted waveguide array
 Antenna Length and Rotation Speed: Open 120 cm (XN12A) 48 RPM
 Wind Load: 70 kn relative wind
 Beamwidth: Hor. 1.9°, Vert. 22°

RF TRANSCEIVER

Frequency: 9410 ± 30 MHz (X-band)
 Output Power: 4 kW

DISPLAY

Screen Size: 10.4" color LCD
 Pixel Number and Screen Resolution: 640 (V) x 480 (H), VGA
 Effective Diameter: 158 mm
 Echo Colors: 32 levels
 Display Modes: Head-up, Course-up*, North-up*, True view*, True motion**
 * Heading data required
 ** Heading and position data required

Range Units: nm, sm, km
 Range Scales and Range Ring Intervals (nm):
 Range: 1/16, 1/8, 1/4, 1/2, 3/4, 1, 1.5, 1.6, 2, 3, 3.2, 4, 6, 8, 12, 16, 24, 32, 36, 48
 Rings: 1/32, 1/16, 1/8, 1/4, 1/2, 0.8, 1, 2, 3, 4, 6, 8, 12

Minimum Range: 16 m
 Range Discrimination: 15 m
 Echo Trails:
 Type: True or relative trails
 Trail Length: 15, 30 sec., 1, 3, 6, 15, 30 min., or continuous Trail
 Trail Width: Narrow, Normal
 Plotting Facilities (Required optional board ARP-11)
 Acquisition: Auto, Manual
 Number of Targets: 10 targets max.

AIS Functions (Data input from AIS is required)

Symbols: Sleeping, Activated, Dangerous, Selected, Lost targets
 Number of Targets: 100 targets max.

INTERFACE

Input: AD-10 or IEC 61162 NMEA0183 Ver. 1.5/2.0/3.0
 IEC 61162 NMEA0183 Ver. 1.5/2.0/3.0
 Output: IEC 61162 NMEA0183 Ver. 1.5/2.0/3.0

ENVIRONMENT

Temperature:
 Antenna Unit: -25°C to +55°C (-13°F to +131°F)
 Display Unit: -15°C to +55°C (5°F to +131°F)

Waterproofing

Antenna Unit: IEC60529 IP26
 Display Unit: IEC60529 IP55

POWER SUPPLY

EQUIPMENT LIST
 Standard

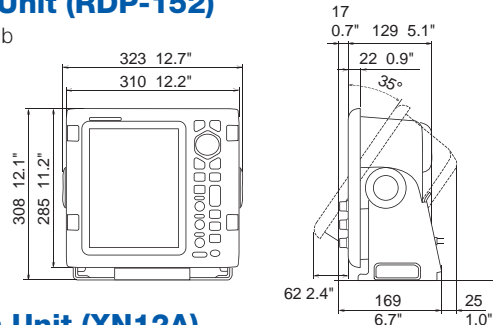
- | | | |
|---|-----------------------|--------|
| 1. Display Unit | | 1 unit |
| 2. Antenna Unit | | 1 unit |
| 3. Antenna Cable | 5, 10, 15, 20 or 30 m | 1 pc |
| 4. Power Cable | 5 m | 1 pc. |
| 5. Installation Materials and Spare Parts | | 1 set |

Option

- | | | |
|--------------------------|-----------------|--|
| 1. Auto Plotter | ARP-11 | |
| 2. Rectifier | RU-3423 | |
| 3. External Alarm Buzzer | OP03-21 | |
| 4. Interface Cable | | |
| MJ-B24LPF0010 | 10, 20, or 30 m | |
| MJ-A7SPF0007-050C | 5 m | |
| MJ-A6SPF0007-100C | 10 m | |
| MJ-A10SPFW0001+R | 0.2 m | |

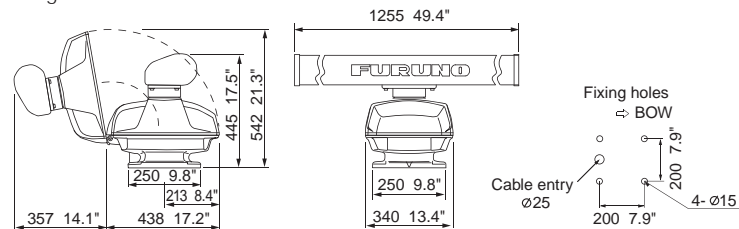
Display Unit (RDP-152)

5.4 kg 11.9 lb

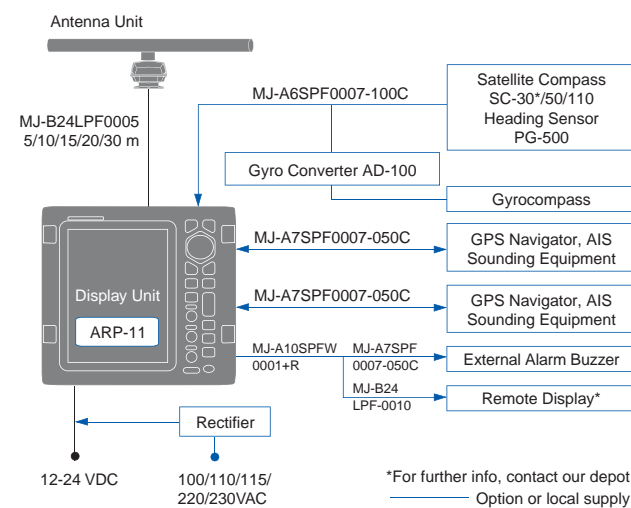


Antenna Unit (XN12A)

25 kg 55.1 lb



INTERCONNECTION DIAGRAM



All brand and product names are registered trademarks, trademarks or service marks of their respective holders.
 SPECIFICATIONS SUBJECT TO CHANGE WITHOUT NOTICE

10.4" Multi-Color LCD RADAR MODEL 1937

High performance radar for river use and high-speed craft



FURUNO ELECTRIC CO., LTD.
 Nishinomiya, Hyogo, Japan
 www.furuno.co.jp
FURUNO U.S.A., INC.
 Camas, Washington, U.S.A.
 www.furunousa.com
FURUNO (UK) LIMITED
 Havant, Hampshire, U.K.
 www.furuno.co.uk
FURUNO FRANCE S.A.S.
 Bordeaux-Mérignac, France
 www.furuno.fr

FURUNO ESPAÑA S.A.
 Madrid, Spain
 www.furuno.es
FURUNO DANMARK AS
 Hvidovre, Denmark
 www.furuno.dk
FURUNO NORGE A/S
 Ålesund, Norway
 www.furuno.no

FURUNO SVERIGE AB
 Västra Frölunda, Sweden
 www.furuno.se
FURUNO FINLAND OY
 Espoo, Finland
 www.furuno.fi
FURUNO POLSKA Sp. z o.o.
 Gdynia, Poland
 www.furuno.pl

FURUNO DEUTSCHLAND GmbH
 Rellingen, Germany
 www.furuno.de
FURUNO EURUS LLC
 St. Petersburg, Russian Federation
 www.furuno.com.ru
FURUNO HELLAS LTD.
 Piraeus, Greece

09063U Printed in Japan
 Catalogue No. R-197

www.furuno.com

